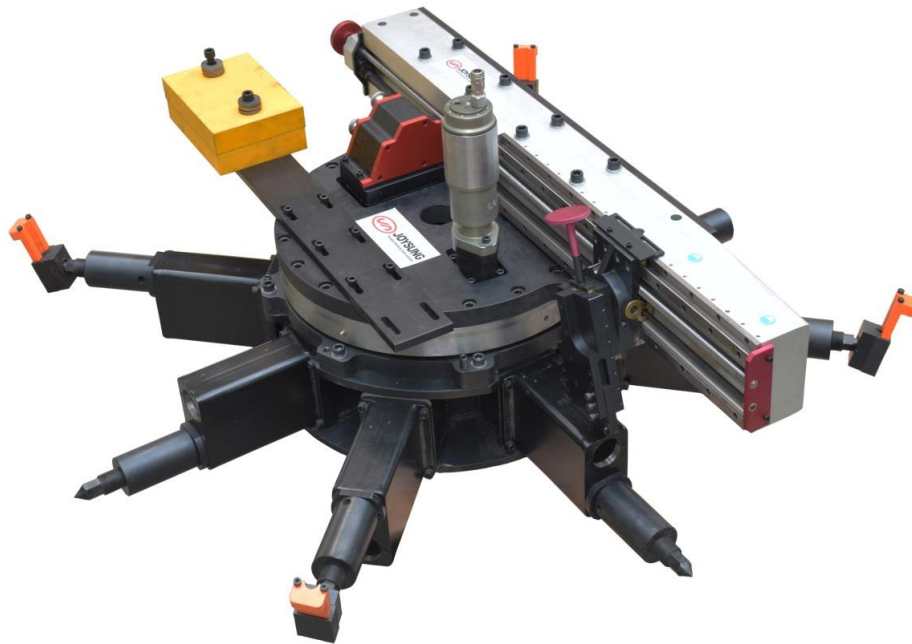


# FDG2000



**FDG2000 Flange facer** is designed with light and high precision consideration of different countries, it Adopts ascendant Processing technology to make sure the best accurateness and high efficiency. It's widely used for petroleum, Chemical industry, electric plant, ship rebuilding...

## Superior machining

It can achieve working without mounting base unit, typical applications for on-site machining of heat exchanger, blind flange, and so on, This provides users with the flexibility to make more cuts including chamfers, O-ring grooves, RTJ grooves, lens rings, beveling, and other surfaces.

## Lightweight & precise body

Modular structural design, high-intensity of material with Processing technology, which makes sure the accuracy of processing.

## Quick set up

Flange facing machine adopt independent design of quick model parts, therefore , it's fast to mount it and machining. A experienced operator will finish the mounting processing within an hour according the rightful operating process.

## Drive unit

The machine is driven by a 4HP pneumatic motor, It can achieve cuts up to a maximum depth of 2mm (0.079") on flanges without bolt holes or 0.5mm (0.02") with holes.


E-mail: [sales@dthmachines.com](mailto:sales@dthmachines.com) 

Web: [www.dthmachines.net](http://www.dthmachines.net) 

Tel: +86-755-33238068 Fax: +86-755-33238950 

Address: Lantian industrial Park Haoxiang Road Shajing Town Shenzhen.PRC 

 **HongKong Branch: Dthmachines(Hongkong)Limited**

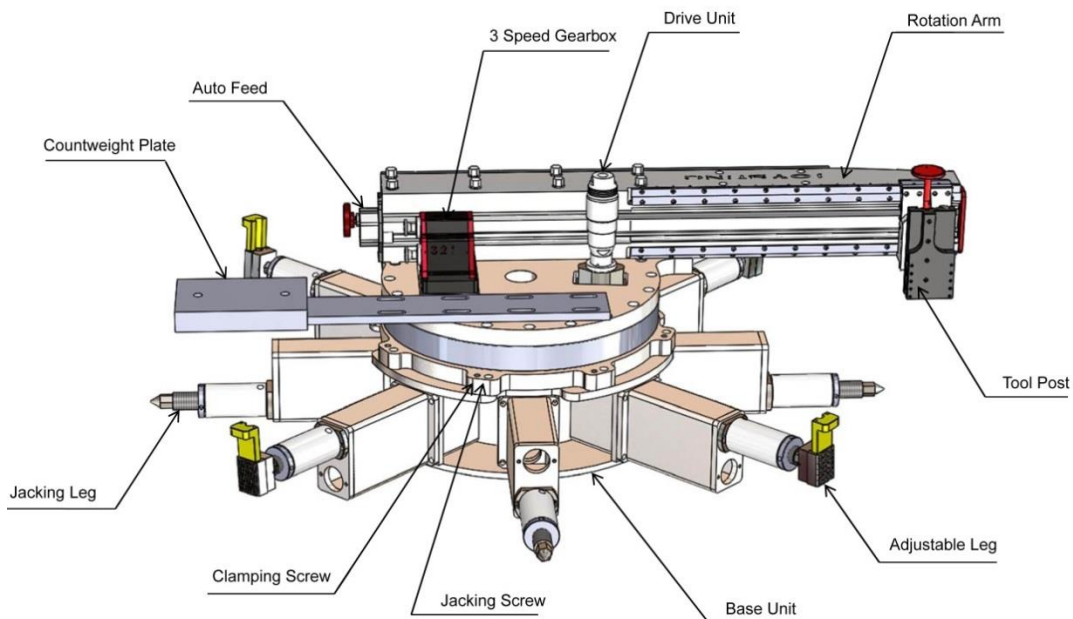
 Address: Unit 13, 23rd Floor, Cable TV Tower, 9 Hoi Shing Road, Tsuen Wan, Hong Kong

# Technical Details

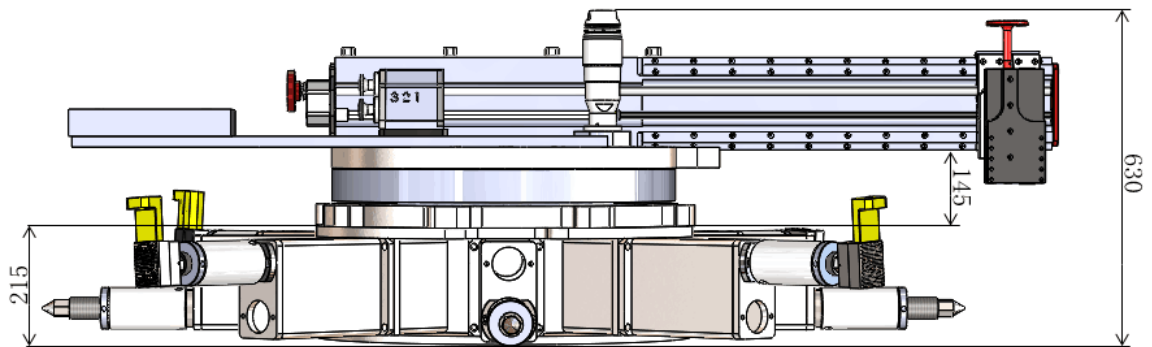
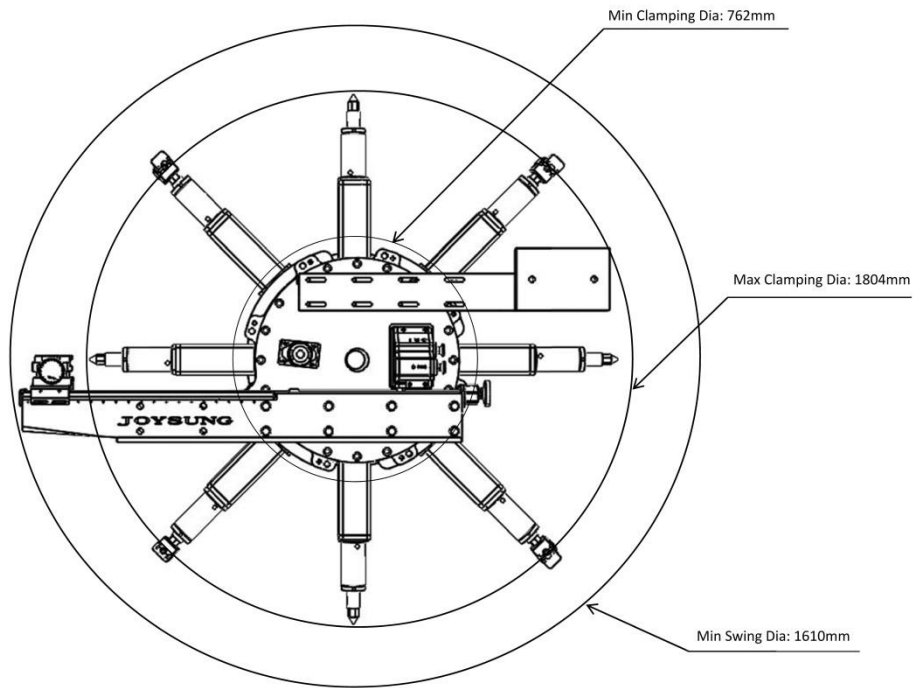
Facing Diameter Range	762-2032mm (30-80")
I.D Clamp Range	762-1804mm(30-71")
Min Swing Diameter	1610mm
Tool Post Stroke	50(2")
Tool Post Swivel Angle	+ / - 30°
R.P.M	0-42
Drive Power Unit- Pneumatic	4Hp(3kw)
Air Consumption / Supply Required	2.69m³/min
Machine Weight (less base unit)	350Kg
Shipping Weight	720Kg

## Feed Rate

In		Out		Up/down	
Gear	mm/rev	Gear	mm/rev	Gear	mm/rev
1	0.128	1	0.151	1	0.03
2	0.251	2	0.292	2	0.06
3	0.591	3	0.691	3	0.15



# Operational Dimensions





# JOYSUNG

Portable Machinery tools solutions

## Global Department

Telephone: (86) 755 33238068

Fax: (86) 755 33238950

Email: [sales@dthmachines.com](mailto:sales@dthmachines.com)

[joysung@vip.163.com](mailto:joysung@vip.163.com)

## HongKong Branch:

Unit 13, 23rd Floor, Cable TV Tower, 9 Hoi Shing Road, Tsuen Wan, Hong Kong

Email: [sales@dthmachines.com](mailto:sales@dthmachines.com)